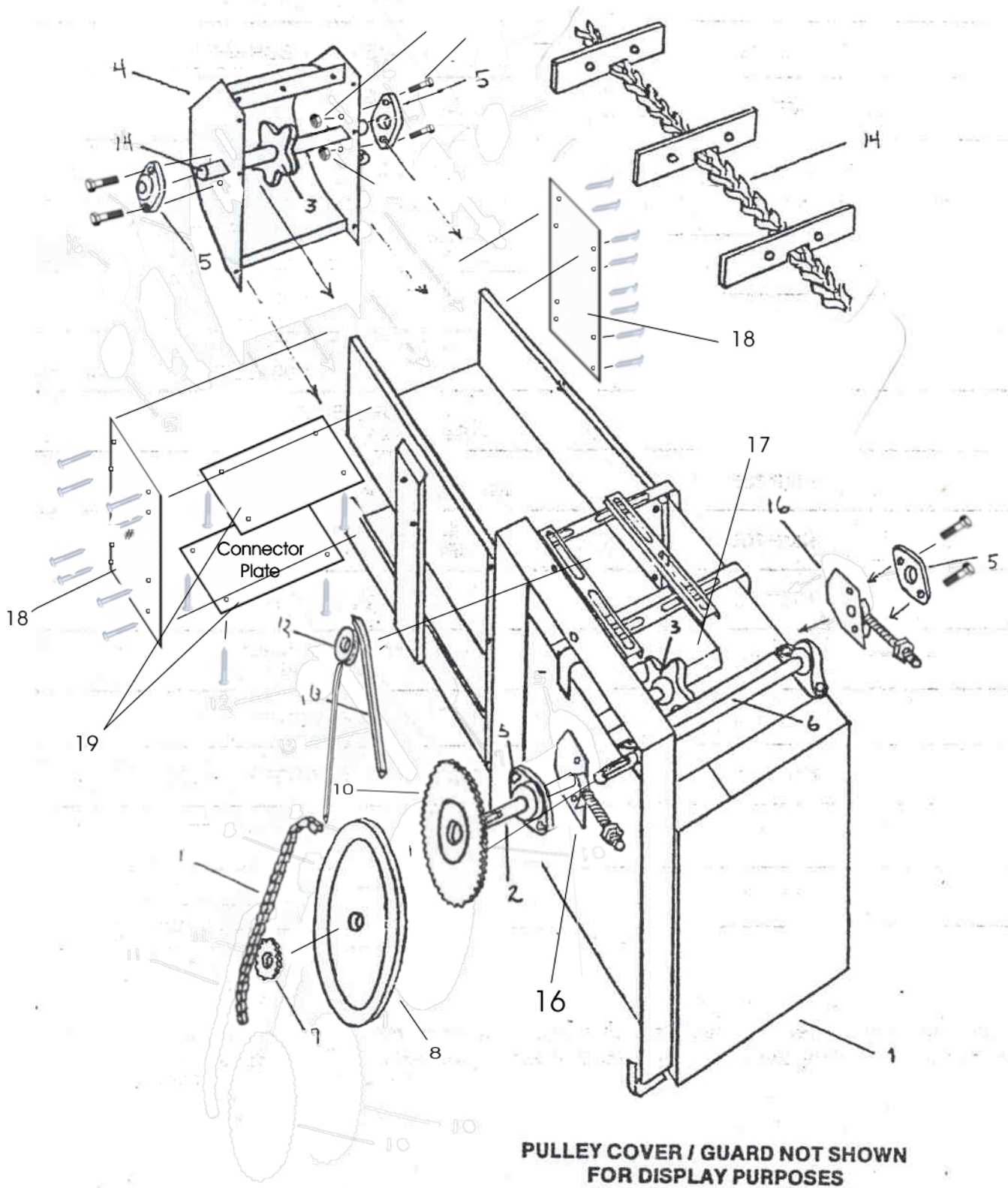


SINGLE CHAIN HEAVY-DUTY CONVEYOR



**PULLEY COVER / GUARD NOT SHOWN
FOR DISPLAY PURPOSES**