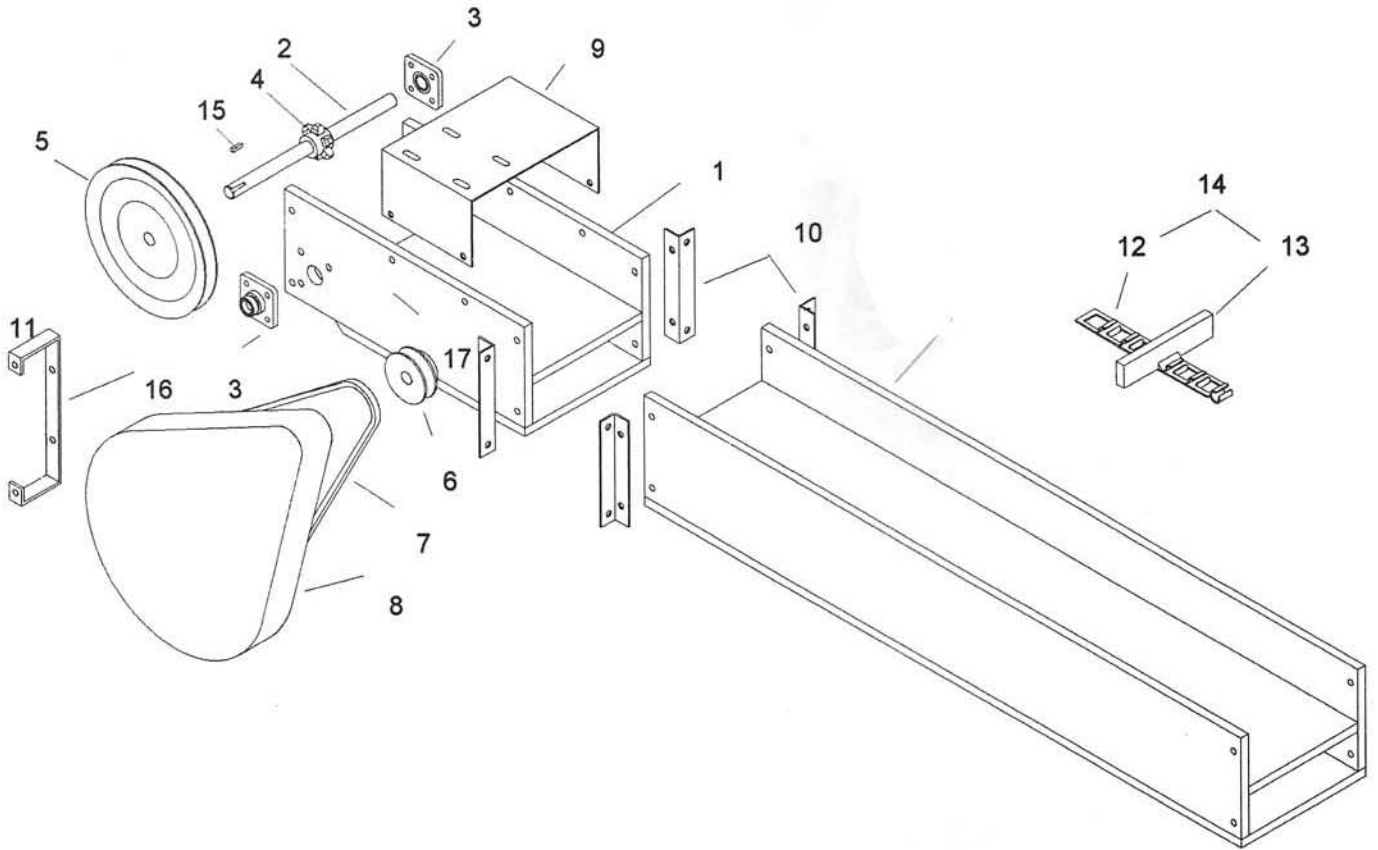


SINGLE CHAIN CONVEYOR REPAIR PARTS

DRIVE UNIT. SECTIONS AND CHAIN



KEY	STOCK NO.	DESCRIPTION
1	KM208	Belt Guard Bracket
2	KM202	Drive Shaft
3	KMP504	Bearing, 4 Bolt
4	KMP501	Chain Sprocket
5	KMP602	Sheave
6	KMP507A	Motor Sheave 5/8x2.50
	KMP507B	Motor Sheave 7/8x2.50
7	KMP603	Drive Belt 4L600
8	KMP109	Belt Guard
9	KM201	Motor Mount
10	KM114	Section Joint Bracket
12		#62 Detachable Chain (specify length)
13	KM206	Chain Flight
14	KM205	Chain with Flights (specify length)
15	KM212	Key