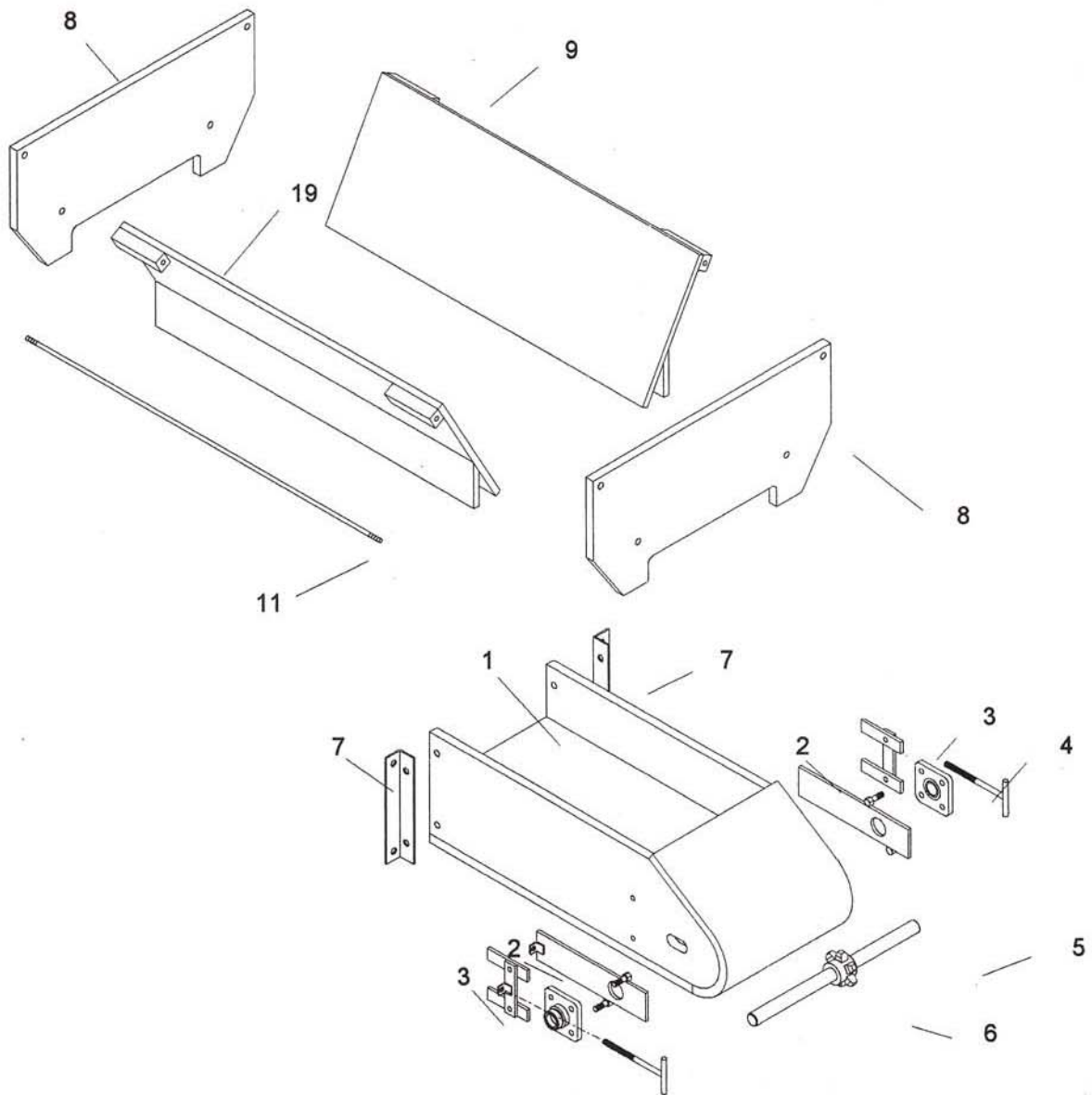


SINGLE CHAIN CONVEYOR

BASE AND HOPPER



KEY	STOCK NO.	DESCRIPTION
1		Base Section
2	KM211	Tightener Slide
3	KM210	Tighener Bracket
4	KMP504	Bearing, 4 Bolt
5	KM204	Idler Shaft
6	KMP501	Chain Sprocket
7	KM114	Section Joint Bracket
8		Hopper End Panel
9		Hopper Side
10		Tie Rod
11	KM209	Chain Tightener Rod