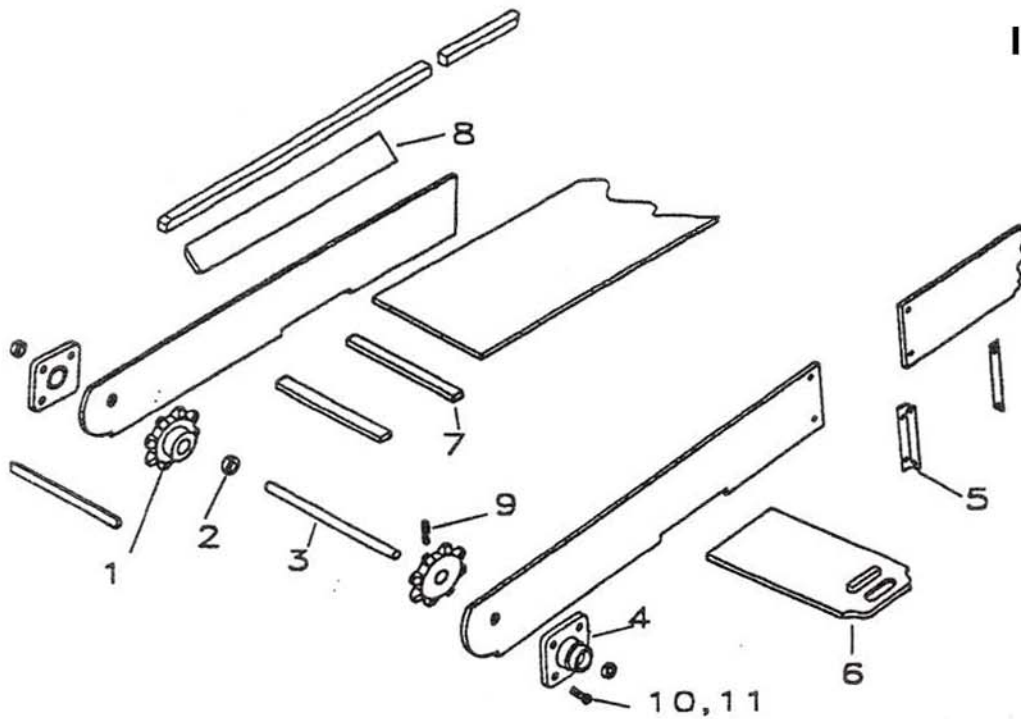


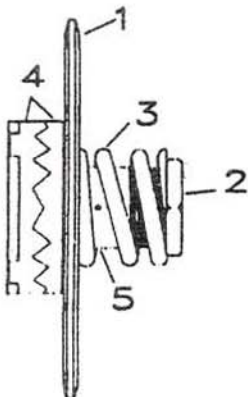
DOUBLE CHAIN CONVEYOR

IDLER END



KEY	STOCK NO.	DESCRIPTION
1	KMP501	Sprocket
2	KMP510	Collar w/Setscrew, 1"
3	KM110	Idler End Shaft
4	KMP504	(4) Bolt Bearing, 1" Bore
5		Section Joint Bracket
6		Drop Out Door
7		Drop Out Door Guide Strip
8		Baffle Board
9	KMP511	Tension Pin, 5/16x2
10		Machine Bolt, 3/8x1 1/4
11		Hex Lock Nut, 3/8

SLIP CLUTCH



KEY	STOCK NO.	DESCRIPTION
1	KMP512	Slip Clutch Sprocket
2	KMP513	Slip Clutch Nut
3	KMP514	Slip Clutch Spring
4	KMP515	Slip Clutch Jaws (pair)
5	KMP516	Slip Clutch Hub

PARTS NOT ILLUSTRATED

STOCK NO.	DESCRIPTION
KM115	Decline Wear Strip
KM116	Incline Wear Strip