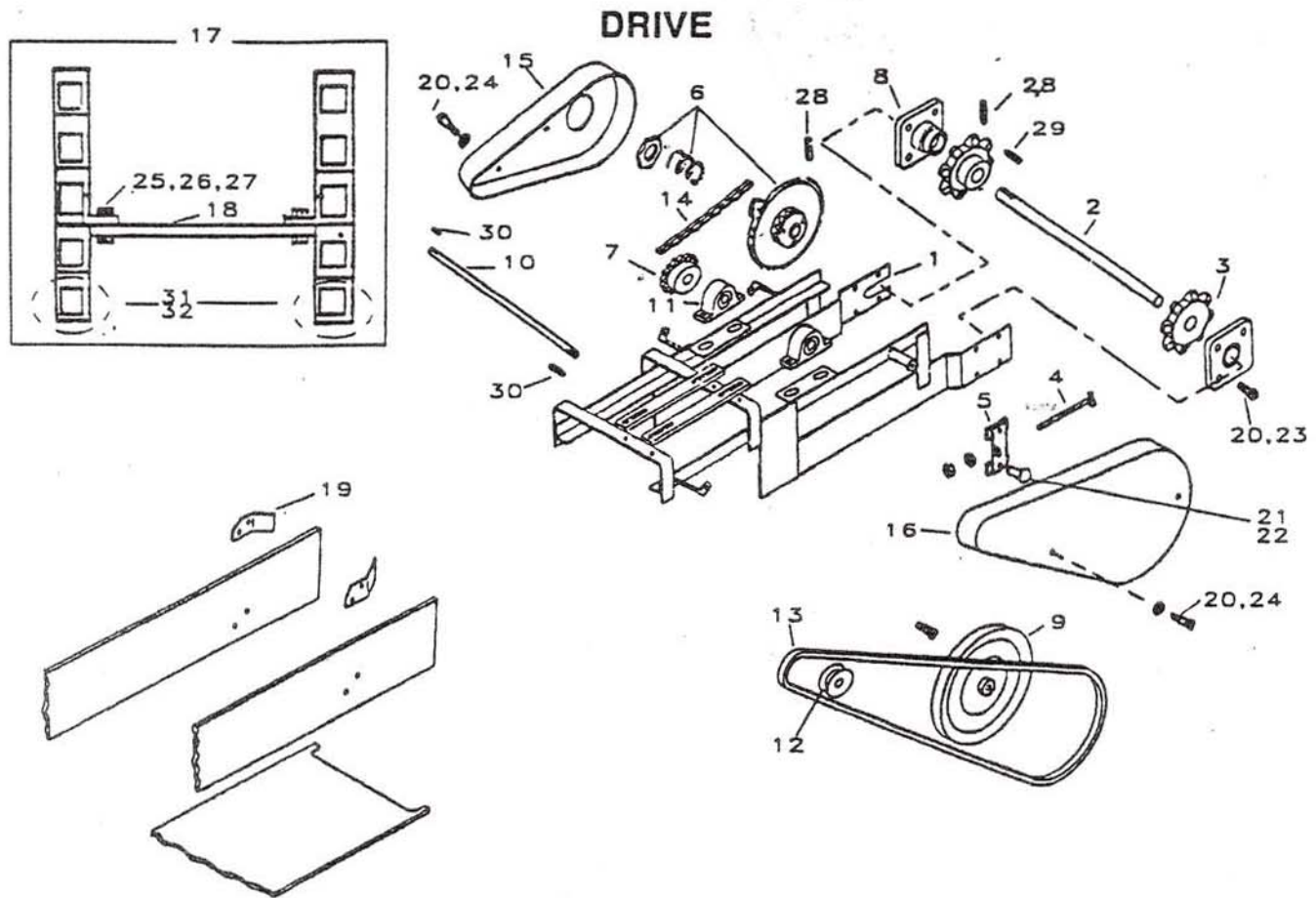


# DOUBLE CHAIN CONVEYOR

## REPAIR PARTS



KEY	STOCK NO.	DESCRIPTION	KEY	STOCK NO.	DESCRIPTION
1	KM101	Drive Unit Frame	16	KM109	Drive Belt Guard
2	KM102	Lower Drive Shaft	17	KM106	Assembled Chain With Paddles
3	KMP501	Sprocket	18	KM107	Plastic Paddle
4	KM103	Chain Tightener	19		Chain Cleaner
5	KM104	Drive Unit Attachment Brkt	20		Machine Bolt, 3/8 x 1 1/4
6	KMP502	Drive Sprocket w/Slip Clutch	21		Hex Nut, 3/8
7	KMP503	Small Drive Sprocket	22		Carriage Bolt, 3/8 x 1 1/4
8	KMP504	(4) Bolt Bearing, 1" Bore	23		Hex Lock Nut, 3/8
	KMP504A	2 Bolt Bearing	24		Flat Washer, 3/8
9	KMP505	Large Drive Sheave	25		Machine Bolt, 1/4 x 1
10	KM105	Upper Drive Shaft	26		Flat Washer, 1/4 x 1
11	KMP506	(2) Bolt Bearing, 3/4" Bore	27		Hex Lock Nut, 1/4
12	KMP507A	Motor Sheave ,5/8" x 2 1/2 or	28	KMP511	Tension Pin, 5/16 x 2
	KMP507B	Motor Sheave, 7/8" x 2 1/2	29		Key, 1/4 x 1/4 x 3
13	KMP508	V-Belt, 4L500	30		Key, 3/16 x 3/16 x 1
14	KMP509	Drive Chain #40	31	KMP517	#62 Std. Link
15	KM108	Drive Chain Guard	32	KMP518	#62 Attachment Link Right or Left